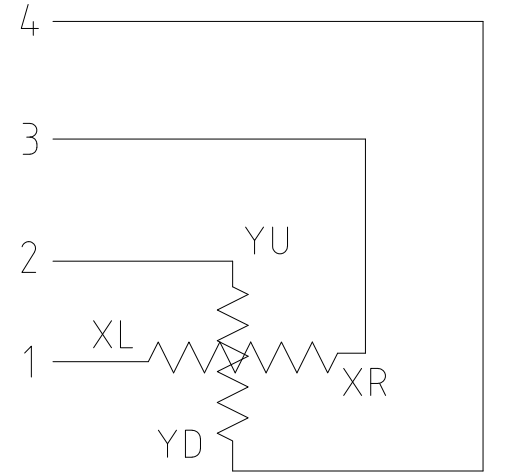
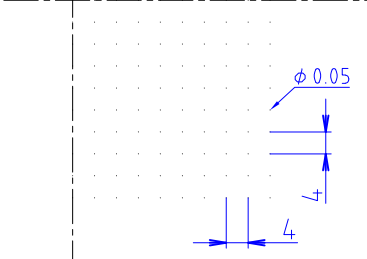
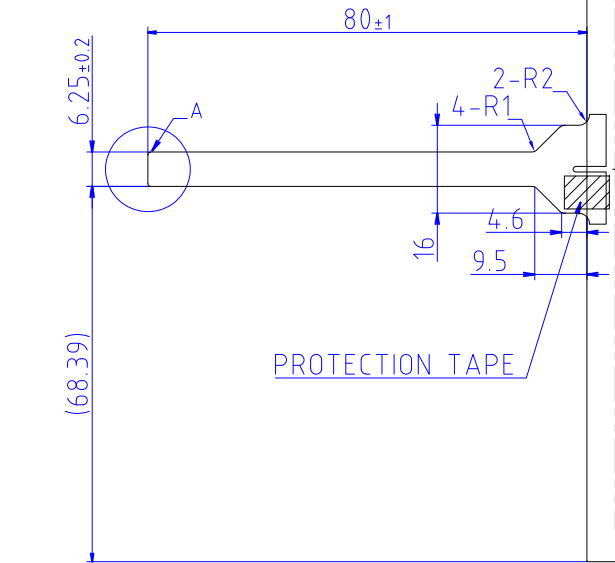
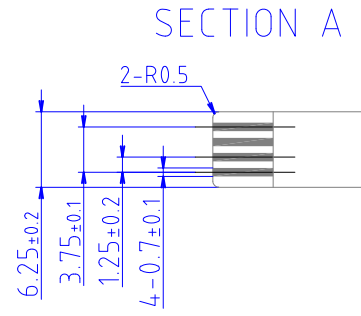
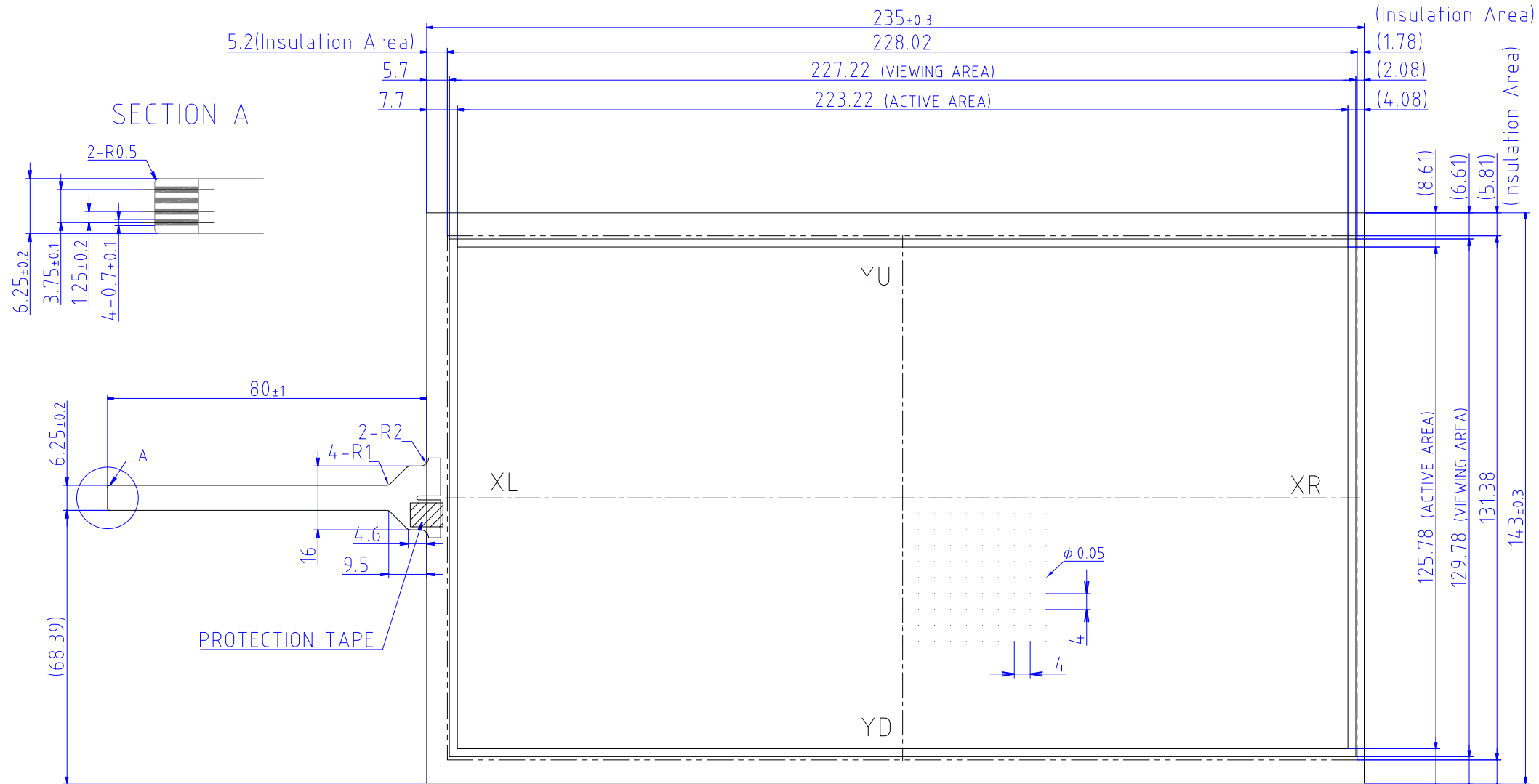
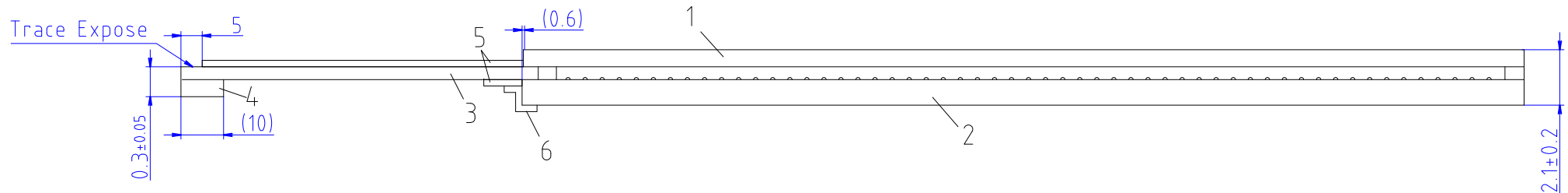


A B C D E F G H

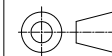


Pin Assignment



TOLERANCE=±0.5mm
EXCEPT WHERE INDICATED
Unit: mm

ITEM
1 ITO FILM
2 ITO GLASS
3 TAIL
4 STIFFENER
5 REINFORCEMENT FILM
6 PROTECTION TAPE

PART No.	DATE
LST-101WB080A/WS	Apr/01/2020
TYPE	DMC Co., Ltd. 
STANDARD TOUCHSCREEN CIRCUIT DRAWING	

A B C D E F G H