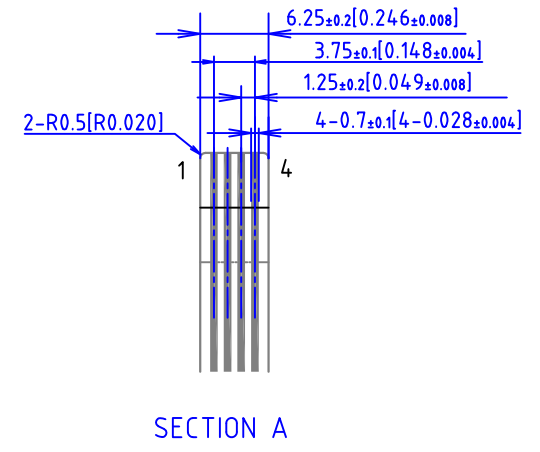
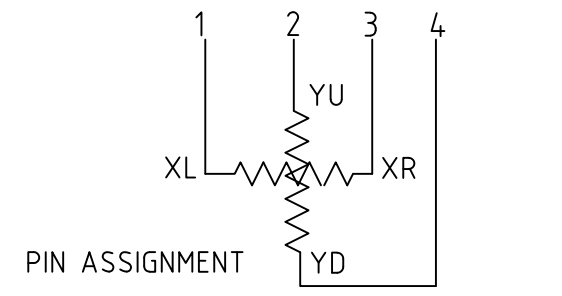


PART No.
AST-047A

TOLERANCE = ±0.5mm[0.02in]
UNIT = mm[inch]



PART No.	DATE
AST-047A070A	Sep 12, 2018
TYPE	
STANDARD TOUCHSCREEN DIMENSIONAL DRAWING	DMC Co., Ltd.