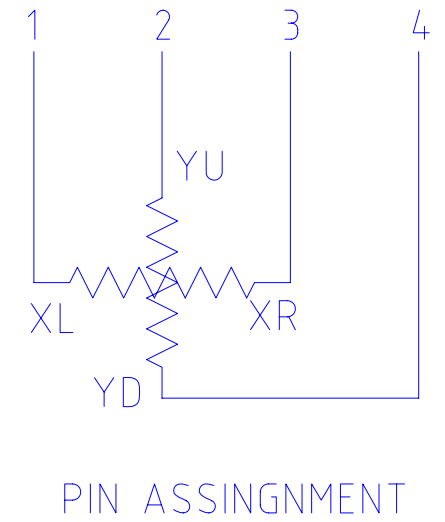
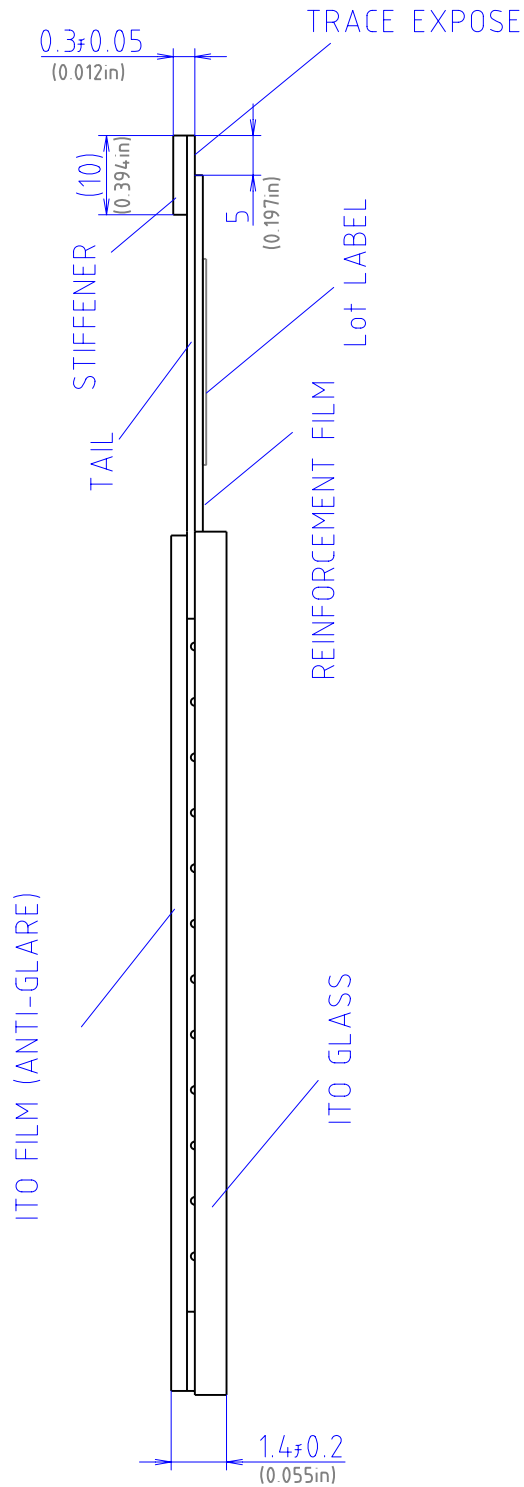
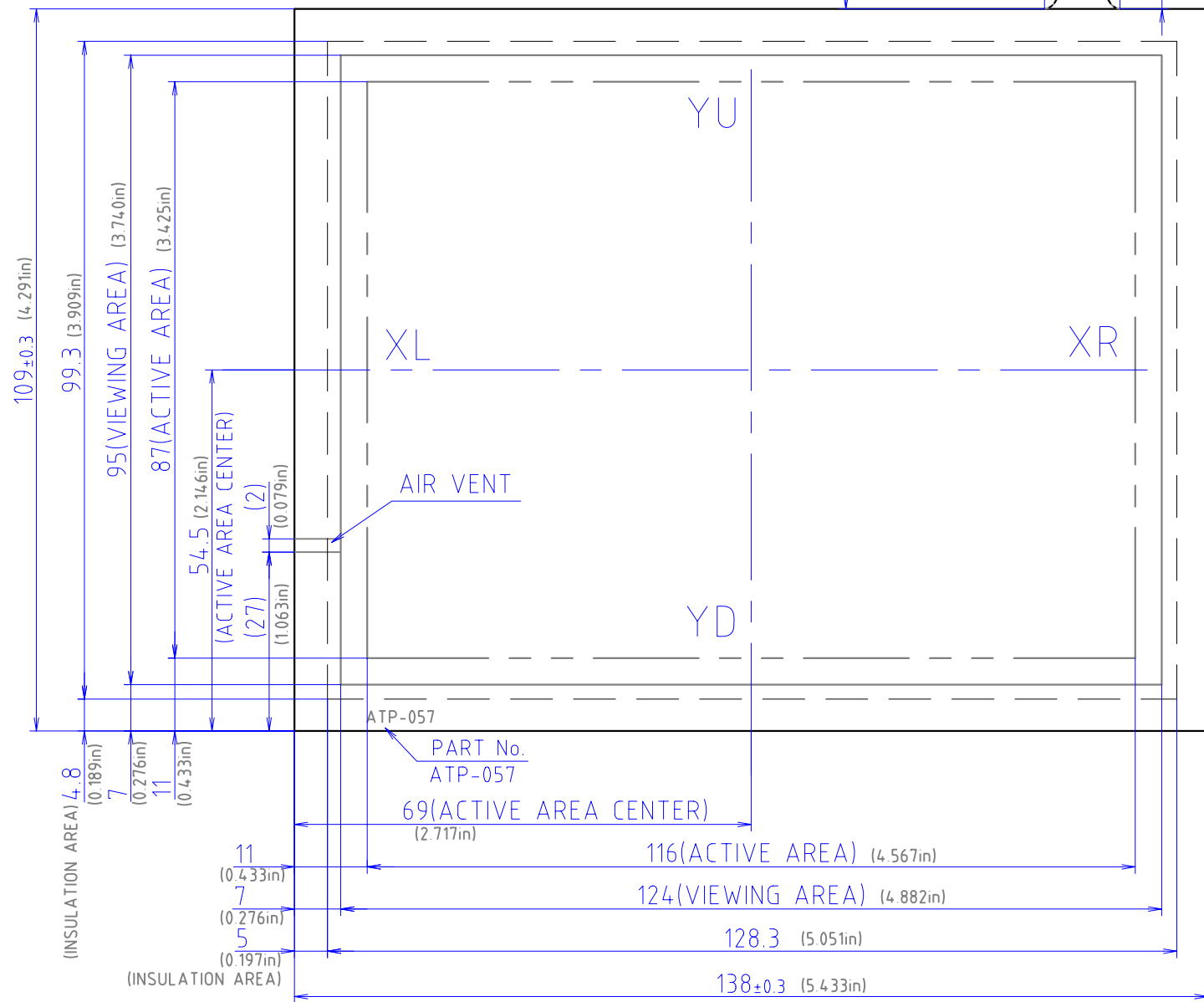
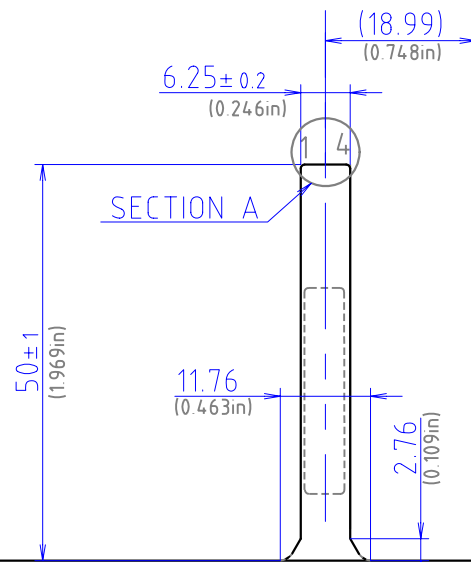
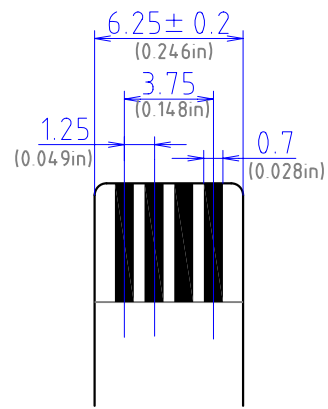


SECTION A



TOLERANCE = ± 0.5mm (.02in)
 EXCEPT WHERE INDICATED
 UNIT = mm(in)

PART	DATE
ATP-057	JUL.09, 2007
TYPE	DMC Co., Ltd.
STANDARD TOUCHSCREEN DIMENSIONAL DRAWING	