

A

B

C

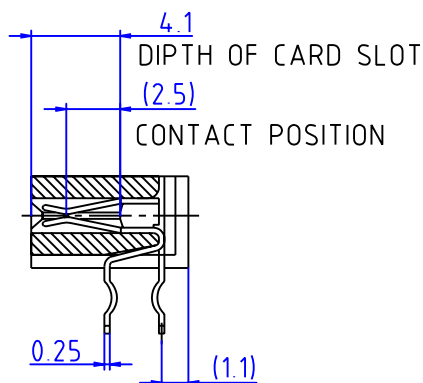
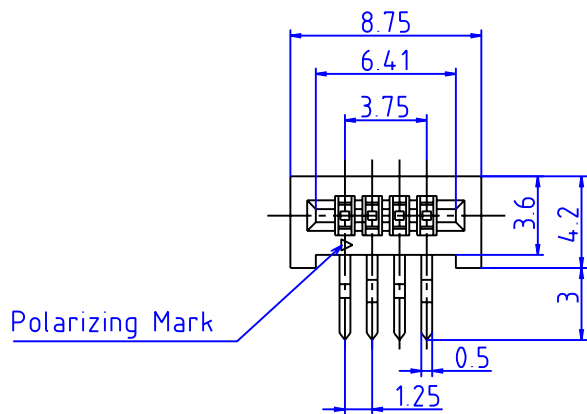
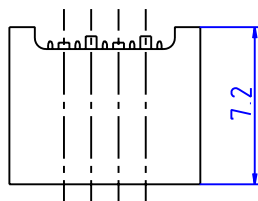
D

E

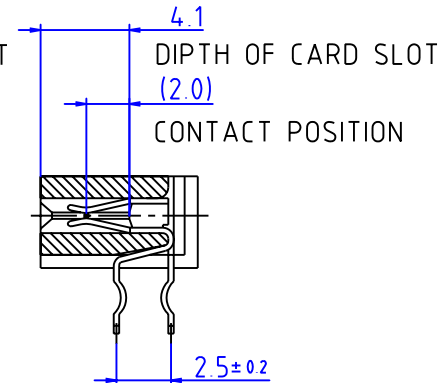
F

1

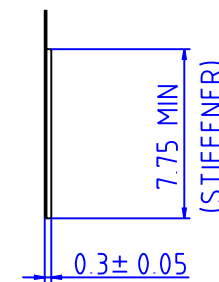
1



ODD PIN POSITION



EVEN PIN POSITION



APPLICABLE FPC THICKNESS

2

2

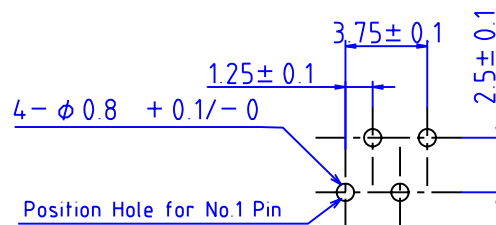
3

3

4

4

Recommended Hole Pattern



Recommended PC board thickness: 1 to 1.6mm
View from the parts installation side

UNIT=mm

Rev. 2

PART No.	DATE
KCA-K4R	November 19, 2004
TYPE	DMC Co., Ltd.
CONNECTOR	
DIMENSIONAL DRAWING	

A

B

C

D

E

F