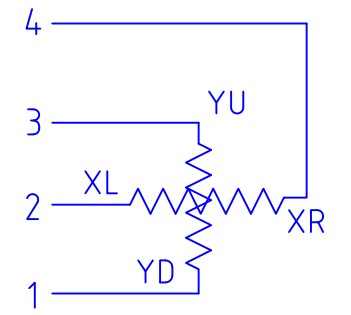
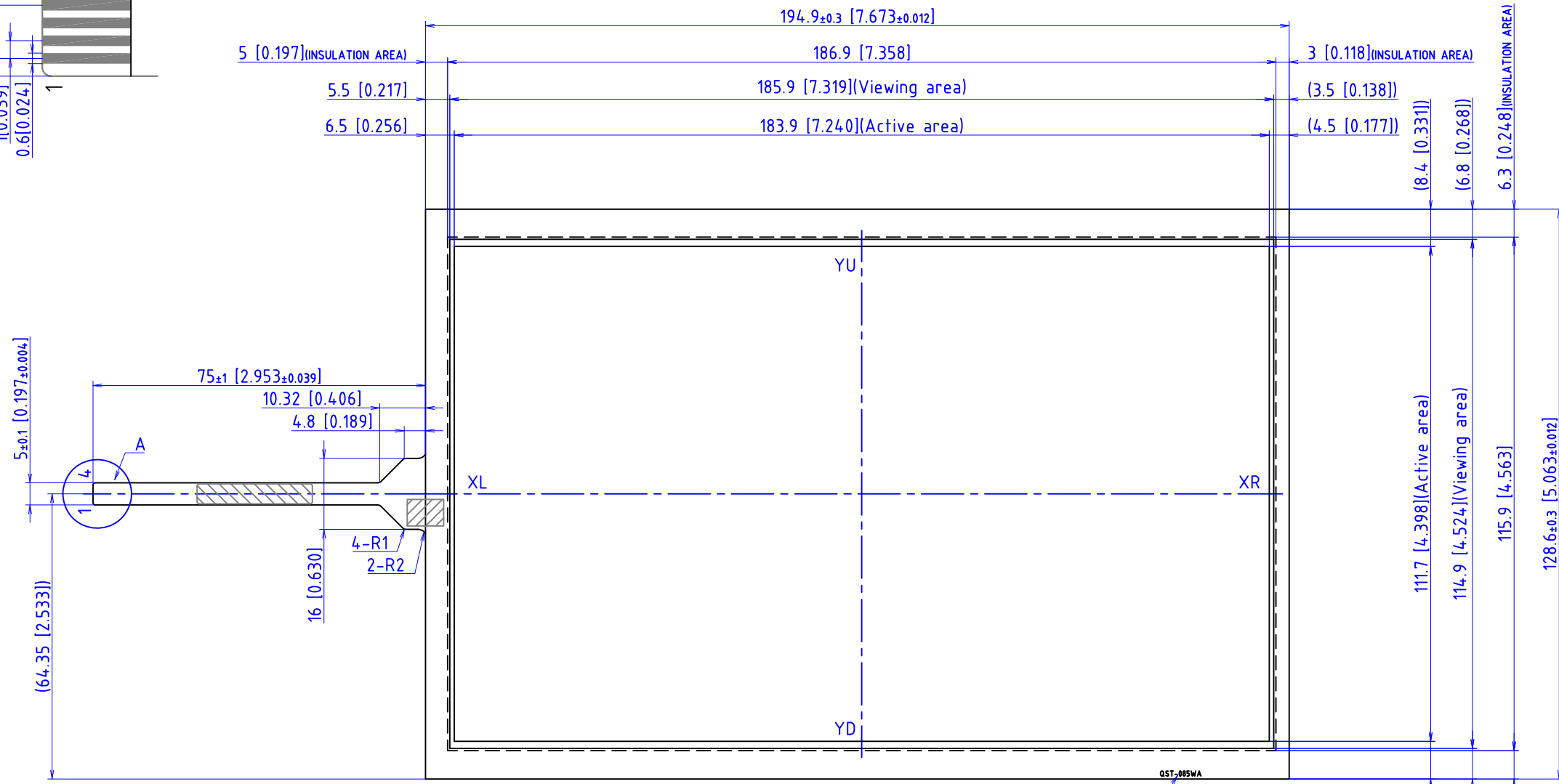
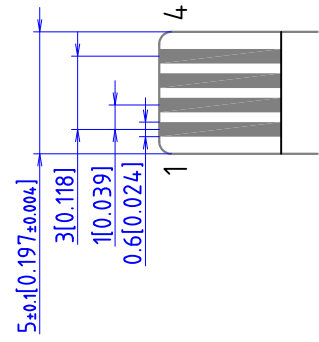
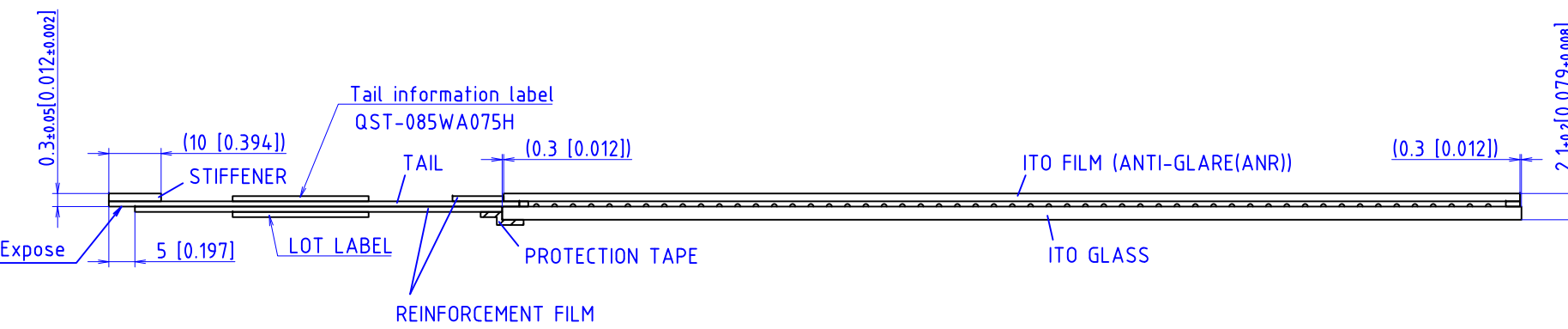


SECTION A



PIN ASSIGNMENT



Pert No. QST-085WA

TOLERANCE=±0.5mm(0.02in)
EXCEPT WHERE INDICATED
Unit: mm

| | |
|----------------------|---------------|
| PART No. | DATE |
| QST-085WA075H | Apr 1, 2020 |
| TYPE | |
| STANDARD TOUCHSCREEN | |
| CIRCUIT DRAWING | DMC Co., Ltd. |