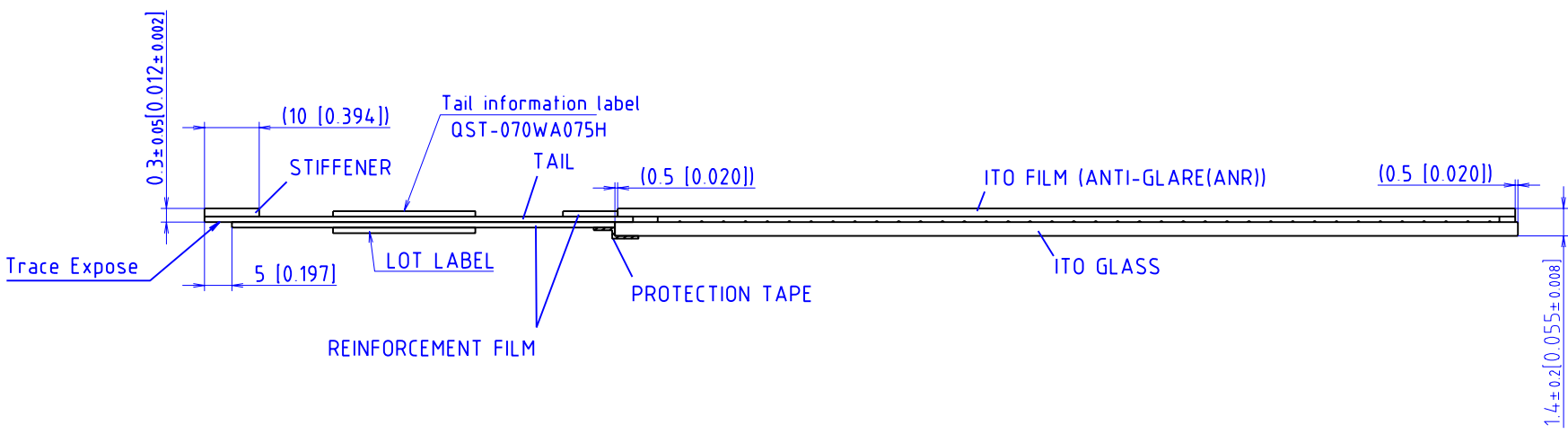
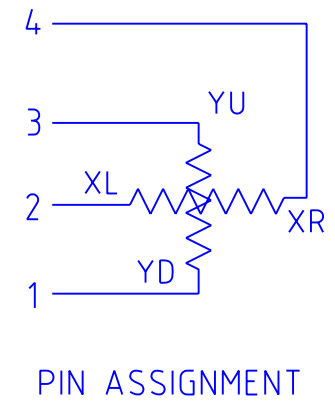
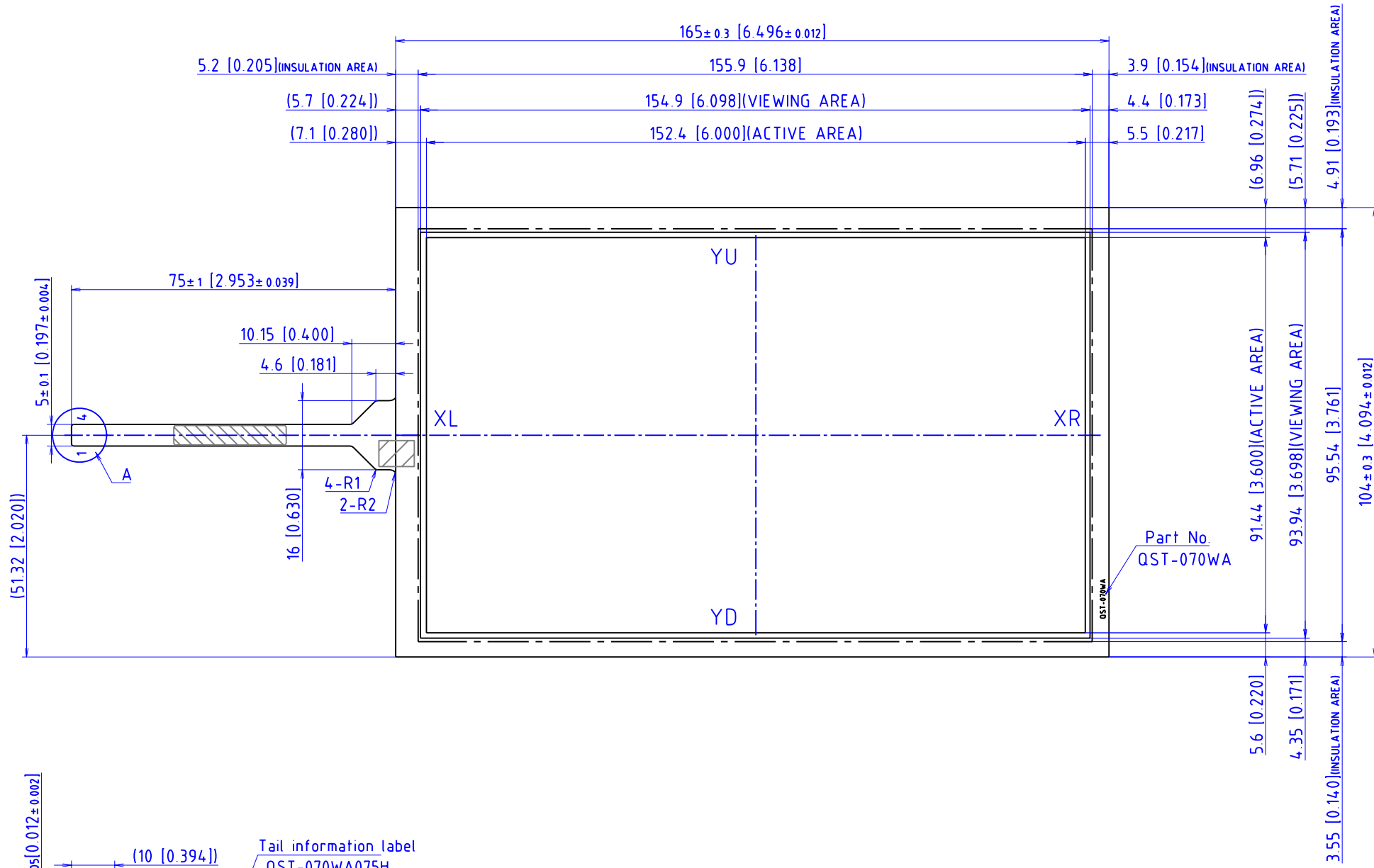
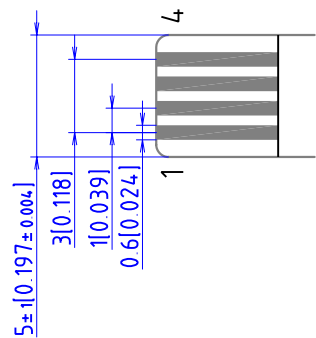


SECTION A



TOLERANCE = ± 0.5mm(0.02in)
EXCEPT WHERE INDICATED
Unit: mm

PART No.	DATE
QST-070WA075H	Mar , 26 , 2010
TYPE	
STANDARD TOUCHSCREEN	
CIRCUIT DRAWING	DMC Co., Ltd.